



JANE ASSEMBLY AND MOUNTING INSTRUCTIONS

KH-1405

GENERAL NOTES

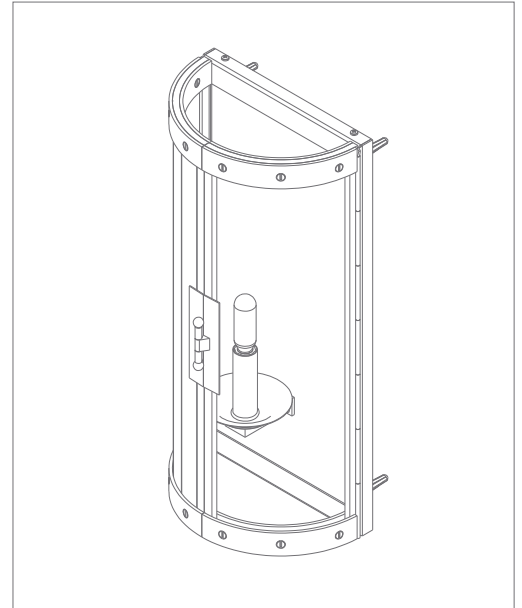
- THIS LUMINAIRE IS SUITED FOR DAMP CONDITIONS.
- THIS LUMINAIRE IS ETL LISTED. WHEN INSTALLING LUMINAIRE, CONFORM TO ALL APPLICABLE LOCAL ELECTRICAL CODES, ORDINANCES, AND THE NATIONAL ELECTRICAL CODE (NEC).
- FOR YOUR SAFETY AND PROPER OPERATION OF LUMINAIRE, READ AND UNDERSTAND ALL INSTRUCTIONS COMPLETELY BEFORE COMMENCING INSTALLATION OF THIS LUMINAIRE.
- CAREFULLY UNPACK THE LUMINAIRE AND INSPECT FOR DAMAGE.
- THIS PRODUCT IS RATED FOR ONE 60W MAX, TYPE B BULB(S).
- SAVE THESE INSTRUCTIONS FOR FUTURE REFERENCE.

CAUTION

THIS PRODUCT SHOULD BE INSTALLED ONLY BY A LICENSED ELECTRICIAN.

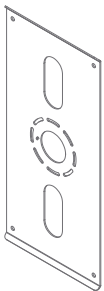
WARNING

THE ELECTRICITY MUST BE TURNED OFF AT THE MAIN FUSE BOX BEFORE INSTALLING THIS LUMINAIRE. TURNING THE POWER OFF USING THE LIGHT SWITCH MAY NOT BE SUFFICIENT TO PREVENT ELECTRICAL SHOCK.

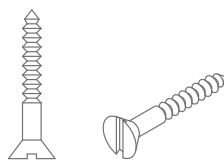


COMPONENTS PROVIDED FOR INSTALLATION

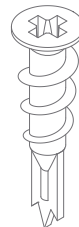
MOUNTING PLATE



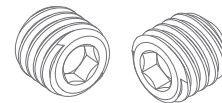
WOOD SCREWS



WALL ANCHORS



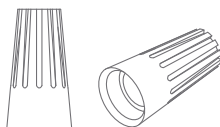
SET SCREWS



HEX WRENCH



WIRE NUTS



BULB TUBULAR T6





JANE
ASSEMBLY AND MOUNTING INSTRUCTIONS

KH-1405

MOUNTING INSTRUCTIONS

STEP 1

SHUT OFF THE MAIN ELECTRICAL SUPPLY TO THE JUNCTION BOX FROM THE FUSE BOX/CIRCUIT BREAKER. TURNING POWER OFF AT THE SWITCH IS NOT SUFFICIENT.

STEP 2

TO INSTALL GLASS, OPEN DOORS OF FIXTURE BY REMOVING BOTTOM BALL OF LATCH. REMOVE TOP GLASS BAND OF THE INTERIOR OF THE DOOR BY REMOVING 3 FLAT HEAD SCREWS. INSERT GLASS INTO BOTTOM DOOR CHANNEL AND LEAN IT TOWARD FRONT OF FIXTURE. REPEAT FOR OTHER 4 STRIPS OF GLASS. RE-ATTACH GLASS BAND BY FASTENING THE 3 FLAT HEAD SCREWS.

STEP 3

REPEAT ON OTHER DOOR.

STEP 5

LOCATE JUNCTION BOX AND PULL HOUSE SUPPLY CIRCUIT WIRING THROUGH THE WIRE-WAY HOLE OF THE MOUNTING PLATE. ATTACH THE MOUNTING PLATE DIRECTLY TO THE JUNCTION BOX AND/OR DIRECTLY TO THE WALL SURFACE USING THE MOUNTING SCREWS AND EXPANSION ANCHORS PROVIDED. IT IS IMPORTANT TO CHECK LEVEL ON THE MOUNTED WALL PLATE.

STEP 4

REMOVE MOUNTING PLATE FROM THE BACK OF THE FIXTURE USING THE HEX WRENCH PROVIDED AND SET FIXTURE AND SET SCREWS ASIDE.

STEP 6

USING THE WIRE NUTS PROVIDED, MAKE ELECTRICAL CONNECTIONS BY FOLLOWING THE ELECTRICAL CONFIGURATION TABLE BELOW. ENSURE THAT ALL ELECTRICAL CONNECTIONS ARE WRAPPED WITH UL-LISTED ELECTRICAL TAPE.

STEP 7

ATTACH THE FIXTURE TO THE MOUNTING PLATE BY SLIDING THE FIXTURE OVER THE TOP OF THE MOUNTING PLATE AND THEN SECURE THE FIXTURE AT THE BOTTOM WITH THE SET SCREWS PROVIDED. BE CAREFUL TO AVOID SCRATCHING THE FINISH ON THE FIXTURE.

STEP 8

INSTALL LIGHT BULB/S IN FIXTURE SOCKET AND RESTORE POWER TO THE CIRCUIT. CONFIRM PROPER OPERATION OF THE LIGHT FIXTURE.

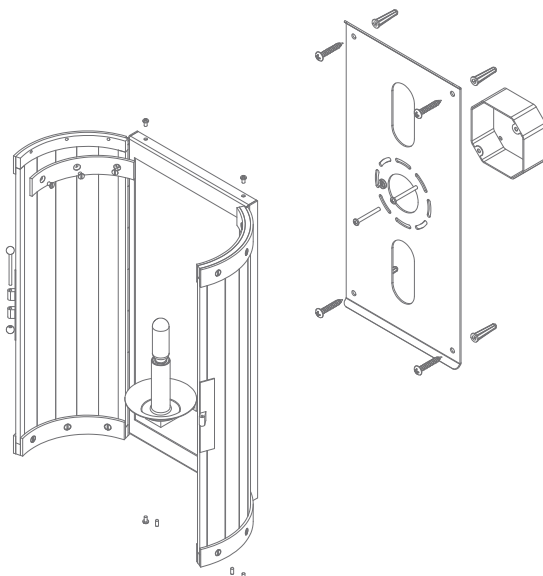
STEP 9

OPEN DOORS OF FIXTURE BY REMOVING BOTTOM BALL OF LATCH. REMOVE TOP GLASS BAND BY REMOVING 3 FLAT HEAD SCREWS. INSERT GLASS INTO BOTTOM DOOR CHANNEL AND LEAN IT TOWARD FRONT OF FIXTURE. REPEAT FOR OTHER 4 STRIPS OF GLASS. RE-ATTACH GLASS BAND BY FASTENING THE 3 FLAT HEAD SCREWS.

STEP 10

REPEAT OF OTHER DOOR.

MOUNTING DIAGRAM



ELECTRICAL CONFIGURATION TABLE

FROM HOME	FROM LUMINAIRE
CONNECT BLACK OR RED (HOT) HOUSE SUPPLY CIRCUIT WIRE TO:	LUMINAIRE ROUND WIRE (HOT)
CONNECT WHITE (NEUTRAL) HOUSE SUPPLY CIRCUIT WIRE TO:	LUMINAIRE RIBBED WIRE (NEUTRAL)
CONNECT GREEN INSULATED OR BARE COPPER (GROUND -) HOUSE SUPPLY CIRCUIT WIRE AND LUMINAIRE BARE STRANDED WIRE (GROUND -) TO GREEN GROUND SCREW ON CROSSBAR.	

GENERAL NOTE: USE UL LISTED WIRE NUTS FOR THE WIRING CONNECTIONS IN THIS LUMINAIRE. WRAP WIRE NUT CONNECTIONS WITH UL LISTED ELECTRICAL TAPE.

FOR QUESTIONS, PLEASE CONTACT CLIENT SERVICES AT: 843.723.8140 OR INFO@URBANELECTRICCO.COM